

Don & Low Roofing Accessories

Over Fascia Vents 10,000mm² & 25,000mm² Vents

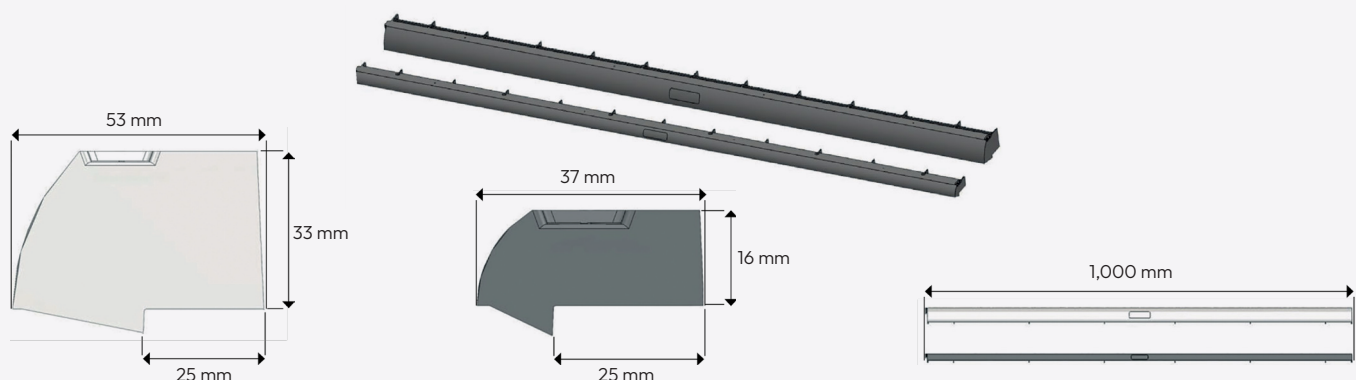
Datasheet

The Don & Low 10,000mm² and 25,000mm² Over Fascia Vents are designed to be unobtrusive, fitted to the top of the fascia while allowing a positive airflow into pitched roof spaces with ease between the felt and fascia boards, in accordance with BS5250. Suitable for both new builds and re-roofing situations. The 25,000mm² Over Fascia Vents can also be fitted in a flat roof to wall abutment detail. The two over-fascia vents are comprised of small, evenly spaced air vents to prevent rodents and large insects from entering.

Guidelines

Both versions of the Don & Low Over Fascia Vents should be fitted with screws or ring shank nails to the top of the fascia board through the fixing holes to secure the component. Use alongside other Don & Low Roofing Accessories to achieve an effective roof ventilation system.

Specifications		
	Fascia Vent FV10	Fascia Vent FV25
Product Code	DL1FV10	DL1FV25
Free Airflow	10,000mm ²	25,000mm ²
Weight	87g	162g
Dimensions	1m x 10mm	1m x 25mm
Pcs / Carton	60	25
Cartons / Pallet	28	
Material	Polypropylene (PP)	
Manufacturing Process	Injection Moulding	
Colour	Black	



Construction Technical Services

0808 169 4444

Don & Low Ltd, Glamis Road, Forfar, Angus, DD8 1FR, Scotland, UK
Tel: +44(0)1307 452200 Fax: +44 (0)1307 452201

Don & Low assumes no liability for written errors within this document.



All products are covered by 15 year Durability Warranty. Terms and conditions apply.



All plastic products are made in the UK.